

WARM-UP TO HIGH PERFORMANCE EFFICIENCY

Deluxe TM9Y Furnace

ClimateCare is Ontario's largest cooperative of local, independent heating and cooling retail contractors. CLARITY by ClimateCare exclusively provides and installs best-in-class gas furnaces that deliver quality, safety and savings for years to come.

GAS FURNACES BUILT TO LAST DEPENDABLE HEAT ALL WINTER LONG

Built with you in mind, our gas furnaces are equipped with state-of-the-art features to give you comfortable, consistent and reliable heat every time. With two-stage heating and standard ECM high efficiency motor, there's nothing this self-monitoring, high efficiency and environmentally-friendly furnace can't do.

- 96.0% fuel efficiency rating to save you energy
- Consumes 85% less energy than traditional units
- Maximum efficiency utilizing a standard ECM blower
- Insulated blower means quieter and comfortable heat all winter long
- Includes award-winning smart thermostat



TAKE COMFORT IN TWO STAGE PERFORMANCE

Energy Efficiency

- 96.0% AFUE to save energy
- High efficiency motor reduces electrical costs
- Smaller environmental footprint
- ENERGY STAR® approved

Optimal Performance

- Two-stage heating adjusts to deliver superior comfort and longer periods of air circulation
- Sophisticated controls to monitor and protect your investment
- Tubular heat exchanger design provides superior reliability versus traditional designs

- ECM motor increases the efficiency of your Air Conditioner

Quiet Operation

- Insulated blower improves acoustic performance

Safety First

- Computerized dashboard with fault codes makes for easy troubleshooting and servicing
- Continuous self-monitoring means safety you can rely on
- Blower door safety switch for added protection

Peace of Mind Warranty

- 12 year all-inclusive warranty including regular tune-ups, service and repairs



A Warmer Experience is Just a Call or Click Away

Speak to one of our local experts, ask questions and even get a free, no-hassle quote by calling 1-844-5-CLARITY or visiting us online at claritybyclimatecare.ca

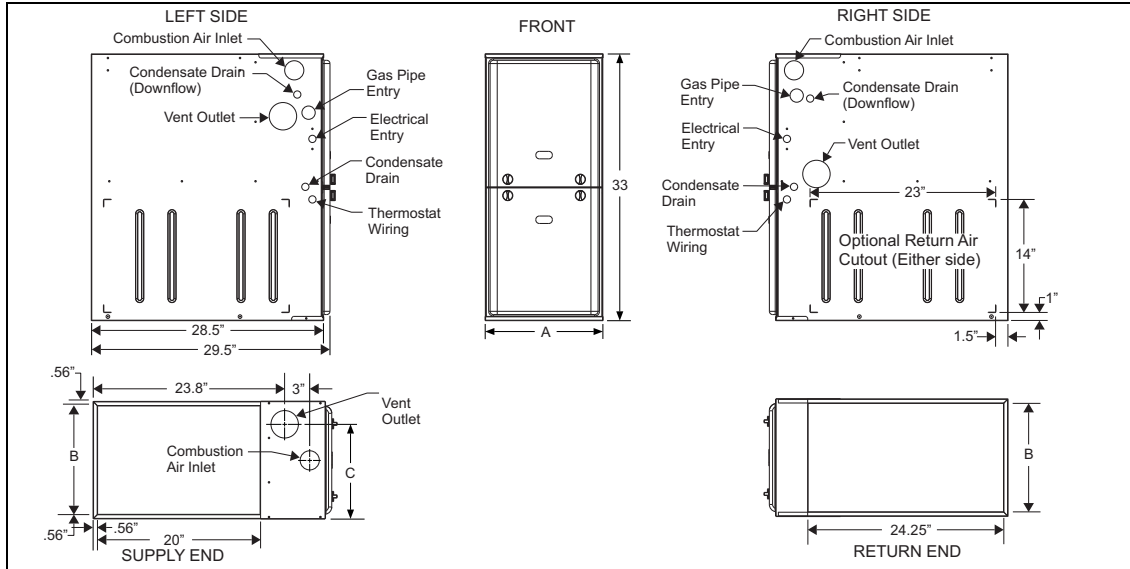


THE CLARITY DIFFERENCE

GET TO KNOW OUR UNITS

For those that want to get to the heart of our units, we've outlined some specs below to give you a detailed view of the unit you're investing in. We believe CLARITY means transparency and we 100% stand by the quality of the furnaces we sell and the expertise of your local ClimateCare member. It's just part of the CLARITY difference.

5129602-BTG-A-0815



Cabinet & Duct Dimensions

Model	Nominal CFM (m ³ /min)	Cabinet Size	Cabinet Dimensions (Inches)			Approximate Operating Weights
			A	B	C	Lbs
TM9Y040A10MP11	1000	A	14-1/2	13-3/8	11-3/4	113
TM9Y060B12MP11	1200	B	17-1/2	16-3/8	13-1/4	119
TM9Y080B12MP11	1200	B	17-1/2	16-3/8	14-3/4	123
TM9Y080C16MP11	1600	C	21	19-7/8	16-1/2	130
TM9Y100C16MP11	1600	C	21	19-7/8	18-1/4	136
TM9Y100C20MP11	2000	C	21	19-7/8	18-1/4	143
TM9Y120D20MP11	2000	D	24-1/2	23-3/8	21-3/4	154

Ratings & Physical / Electrical Data

Model	Input High/Low	Output High/Low	Total Unit	AFUE	High Fire Air Temp. Rise	Low Fire Air Temp. Rise
	MBH	MBH	Amps	%	°F	°F
TM9Y040A10MP11	40/26	38/25	9.5	96	25-55	25-55
TM9Y060B12MP11	60/39	58/37	9.5	95.5	35-65	35-65
TM9Y080B12MP11	80/52	77/50	9.5	96	45-75	35-65
TM9Y080C16MP11	80/52	77/50	9.5	96	40-70	25-55
TM9Y100C16MP11	100/65	96/62	9.5	96	50-80	30-60
TM9Y100C20MP11	100/65	96/62	10.9	96	45-75	30-60
TM9Y120D20MP11	120/78	115/75	10.9	96	50-80	45-75
Model	Max. Outlet Air Temp.	Blower	Blower Size		Max. Over-current Protect	Min. Wire Size (awg) @ 75 ft. One Way
	°F		HP	Amps		
TM9Y040A10MP11	190	1/2	6.8	11 X 8	15	14
TM9Y060B12MP11	190	1/2	6.8	11 x 8	15	14
TM9Y080B12MP11	190	1/2	6.8	11 x 8	15	14
TM9Y080C16MP11	190	1/2	6.8	11 x 10	15	14
TM9Y100C16MP11	190	1/2	6.8	11 x 10	15	14
TM9Y100C20MP11	190	3/4	8.4	11 x 11	15	14
TM9Y120D20MP11	190	3/4	8.4	11 x 11	15	14

Annual Fuel Utilization Efficiency (AFUE) numbers are determined in accordance with DOE Test procedures. Wire size and over current protection must comply with the National Electrical Code (NFPA-70-latest edition) and all local codes. The furnace shall be installed so that the electrical components are protected from water.